

# Rotary Potentiometer

Order Number	Size (mm)	Number of Elements	Resistance Value (kΩ)	Taper	Shaft length (mm)	Tap	Mounting height (mm)	Uses	Rest of Specification
STRK27101	27 mm	Dual Unit	2x10 kΩ	A= Logarithmic	20 mm	No Tap	12.5 mm	AC-Use	Standard
STRK27102	27 mm	Dual Unit	2x20 kΩ	A= Logarithmic	20 mm	No Tap	12.5 mm	AC-Use	Standard
STRK27103	27 mm	Dual Unit	2x50 kΩ	A= Logarithmic	20 mm	No Tap	12.5 mm	AC-Use	Standard
STRK27104	27 mm	Dual Unit	2x100 kΩ	A= Logarithmic	20 mm	No Tap	12.5 mm	AC-Use	Standard

Motor version is also available

Standard Specifications:

Rotational Life: 15000 Cycles  
 Gang Error (-60dB to 0 dB = 2 dB max)  
 Rotational Angle: 300 ± 3 Degrees  
 Rotational Torque: 80 - 350 gf/cm  
 Resistance Tolerance: ± 20%

Rated Power:

0.05 W - 0.1 W  
 Depending on Taper

max. Operating Voltage (DC):

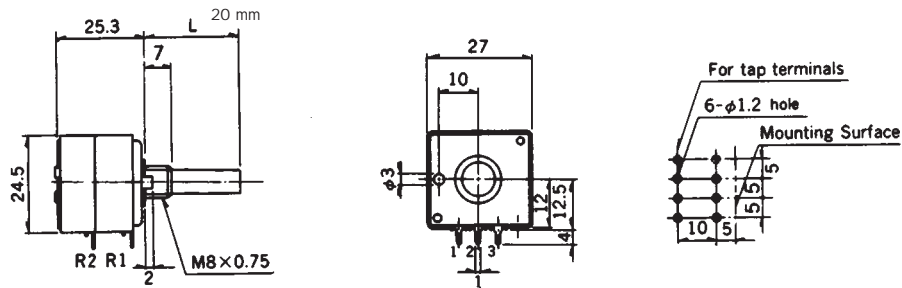
max. Operating Voltage (AC): 30 V

Insulation Resistance:

100 MΩ min. at 500 V DC

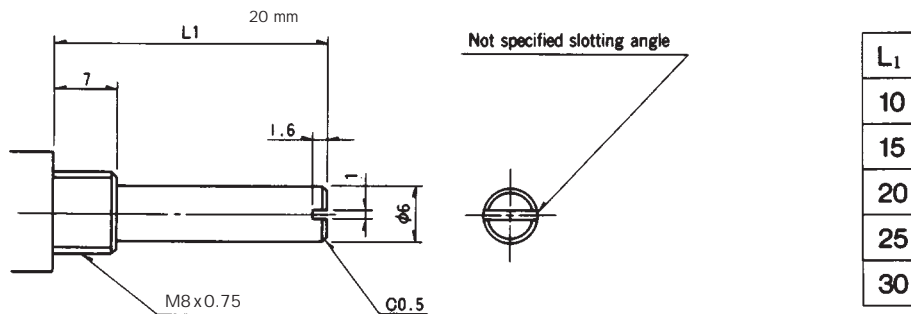
Number of Shafts: 1; Details: Horizontal Type; Shaft Style: Slotted; Terminals: Printed Wiring; Detents: No Detent; Attachment: No

## RK27 Series



Mounting hole detail  
Viewed from mounting side

## Slotted Type



Unit: (mm)